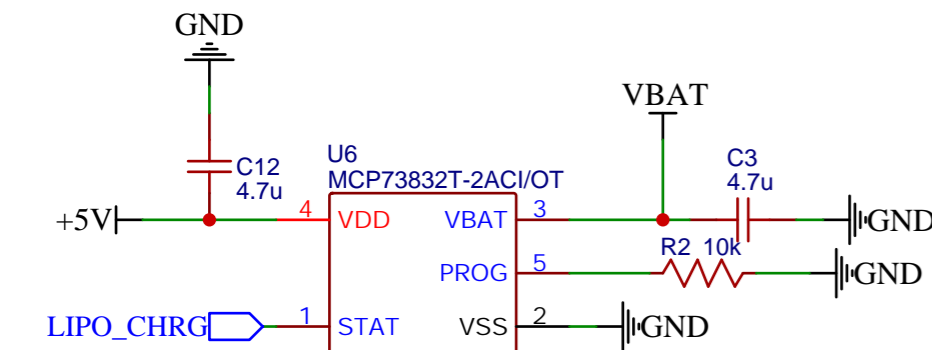


Status_pin values:

Shutdown: High Z
No Battery Present: High Z
Preconditioning: L
Constant-Current Fast Charge: L
Constant Voltage: L
Charge Complete - Standby: High Z

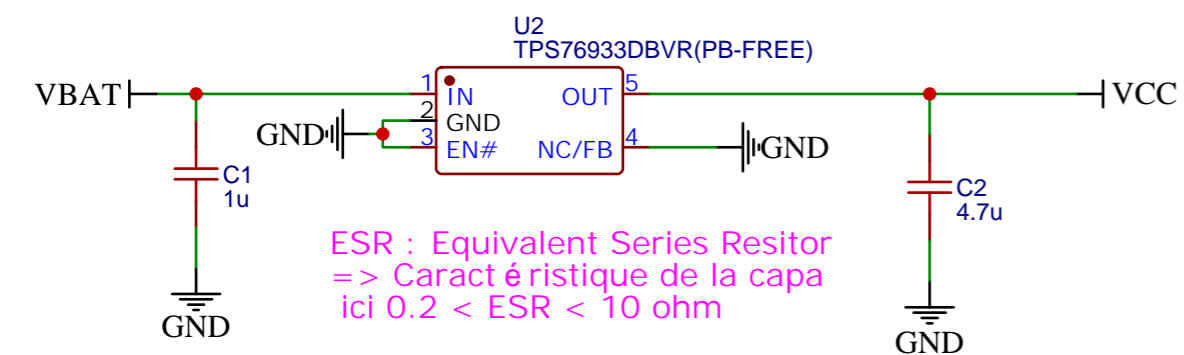
LIPO charging

10K => 100mA charge current
=> 100mA BAT
 $I(mA) = 1000/R(kohm)$



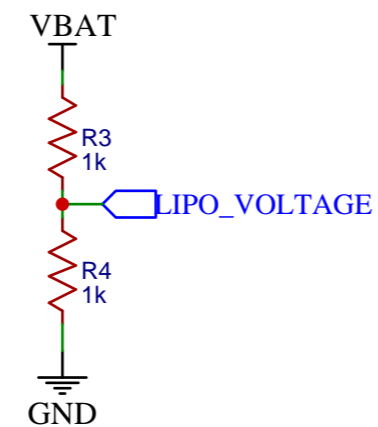
PULL UP not needed because we will use the MCU internal

3.3V regulator

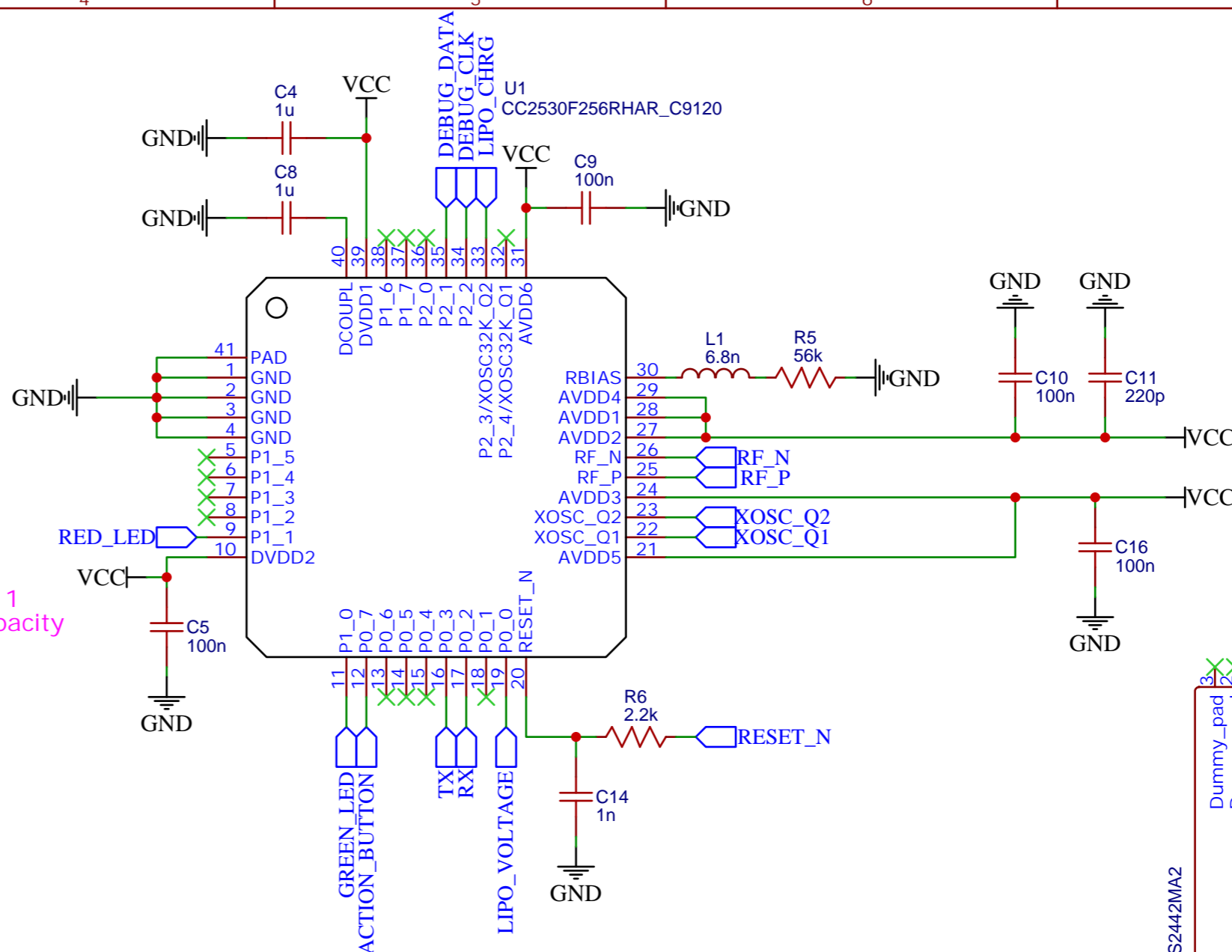


ESR : Equivalent Series Resistor
=> Caractéristique de la capa
ici $0.2 < ESR < 10 \text{ ohm}$

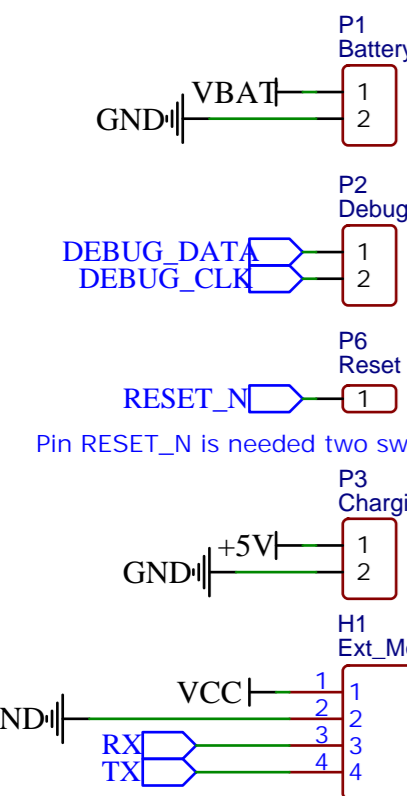
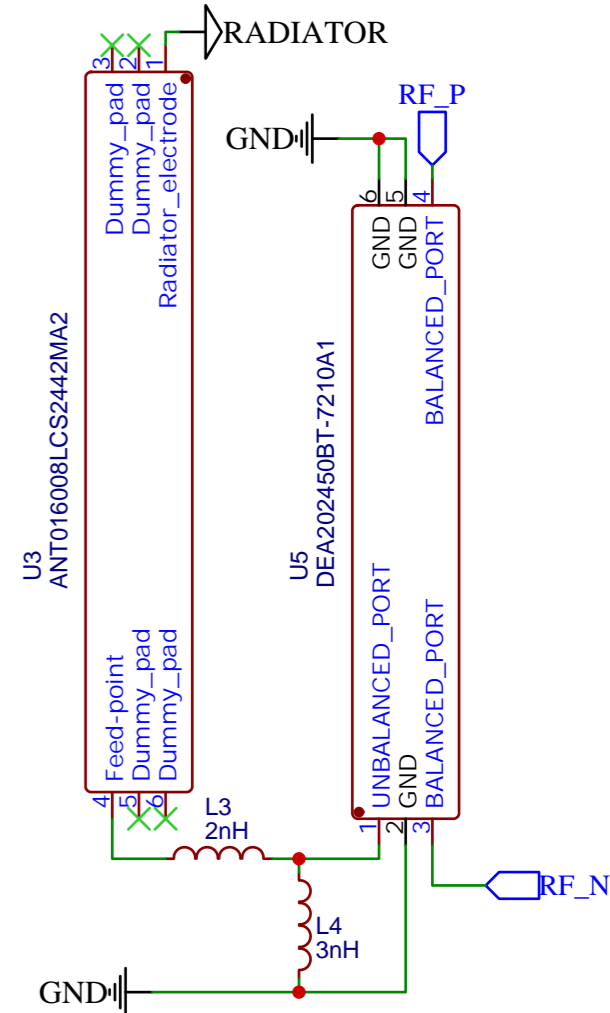
VBAT Sensor



PIN 9 + 11
20mA capacity



Check
Matching circuit (50 ohm trace to)



Pin RESET_N is needed two switch in debug mode

Pin RESET_N is needed two switch in debug mode

Pin RESET_N is needed two switch in debug mode

Pin RESET_N is needed two switch in debug mode

Pin RESET_N is needed two switch in debug mode

Pin RESET_N is needed two switch in debug mode

Pin RESET_N is needed two switch in debug mode

Pin RESET_N is needed two switch in debug mode

Pin RESET_N is needed two switch in debug mode

Pin RESET_N is needed two switch in debug mode

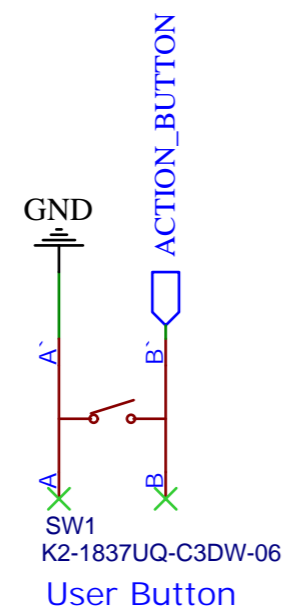
Pin RESET_N is needed two switch in debug mode

Pin RESET_N is needed two switch in debug mode

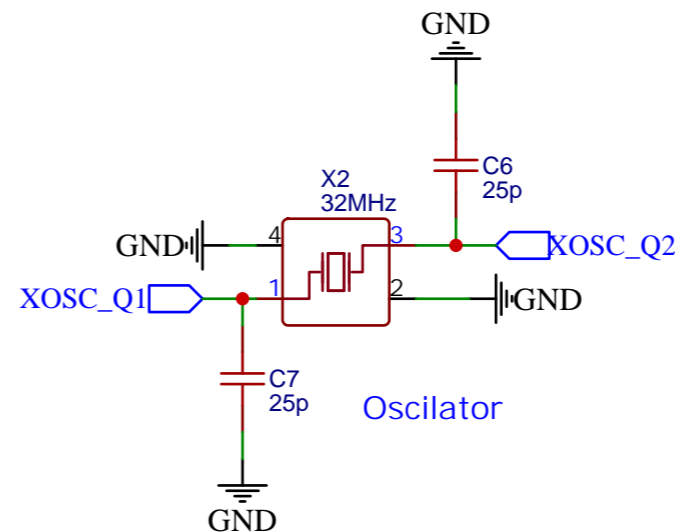
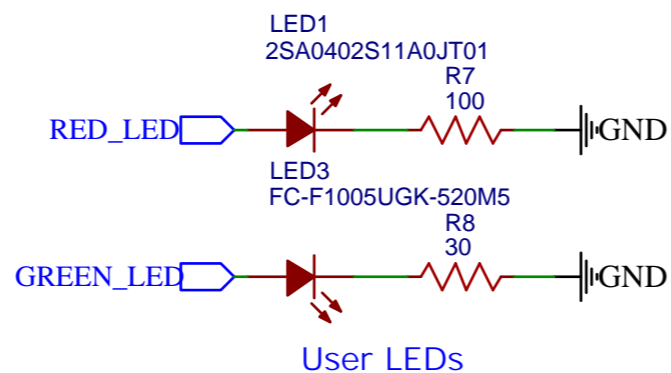
Pin RESET_N is needed two switch in debug mode

Pin RESET_N is needed two switch in debug mode

Pin RESET_N is needed two switch in debug mode



PULL UP will use the MCU internal



Load is 10pF
Rule is
 $C = 2CL + 2Cstay$
 $Cstay = \sim 2-5pF$
Here $22 < C < 25 pF$

TITLE: WonderfulConnection		REV: 1.0
Company: Your Company		Sheet: 1/1
Date: 2020-10-20	Drawn By: dy006	

